

Density DPU Installation

- 01 – Entryway Specifications
- 02 – Wall Mounting
- 03 – Ceiling Mounting
- 04 – Top of Frame Mounting

Entryway Specifications

01

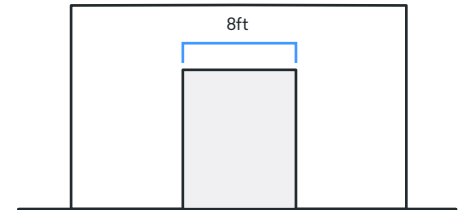
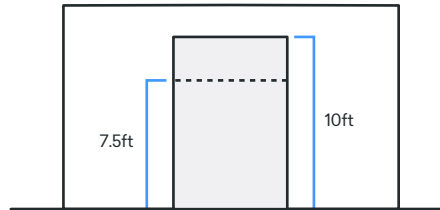
Basic Guidelines

To maintain an accurate count of a space, you need to install a Density DPU above every entryway. Density units are designed for indoor use only.

Clearance

Supported mounting height (from floor):
7.5ft (2.3m) - 10ft (3.0m)

Supported max width:
8ft (2.4m)



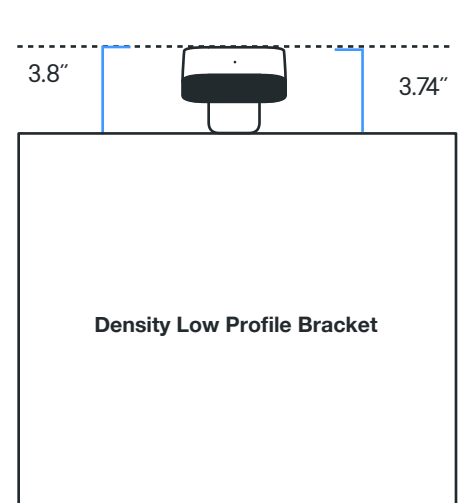
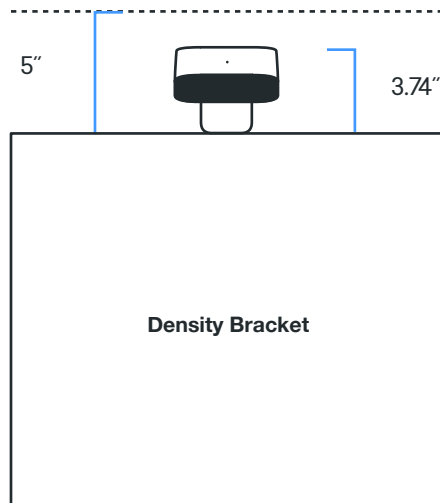
Vertical Clearance

For wall mounting, a minimum amount of space is needed to allow clearance for the unit to slide onto its bracket.

Density Bracket: Minimum of 5 inches of unobstructed wall space.

Density Low Profile Bracket: Minimum of 3.8 inches of unobstructed wall space.

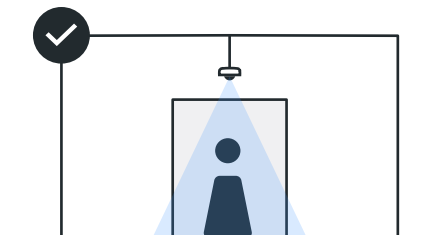
If vertical mounting space is less than 5 inches, ceiling mounting will be required.

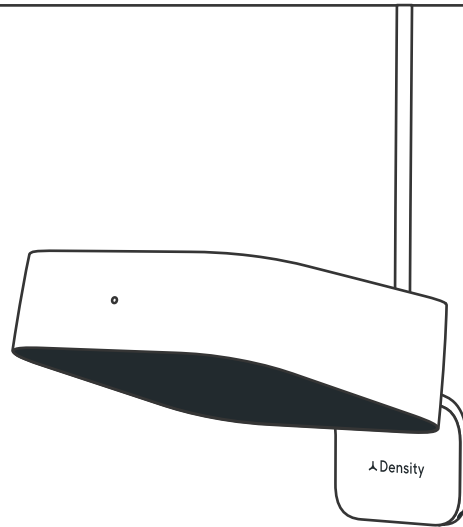


Placement

People are counted as they walk beneath the unit, in and out of a space. The Density DPU and Bracket need to be centered and installed directly above the entryway to ensure people are detected.

Density can not be mounted inside the ceiling, on a side wall facing the entryway, or in the corner of a room.





Materials Included

2 Multi-surface screws
2 Drywall anchors
Density Bracket
Hex key

Materials Not Included

Drill
Hammer
Level
Measuring tape
Pencil
3/16 inch drill bit

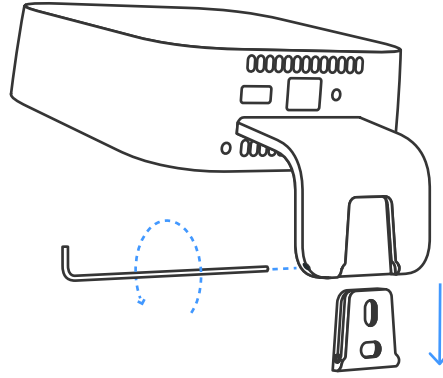
Power & Connectivity

All Density DPUs require power and internet connectivity.



Step 1: Release Bracket

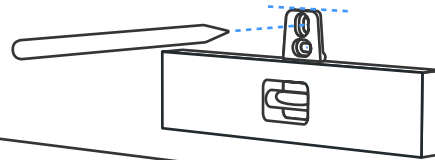
Use the provided hex key to release the bracket from the mount arm.



Step 2: Mark Bracket Placement

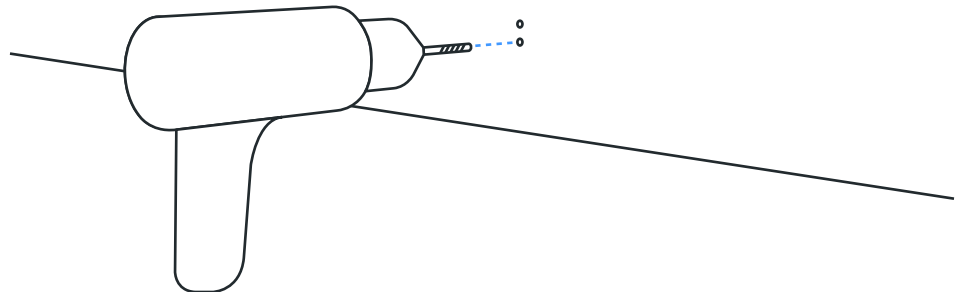
Center the unit horizontally above the doorway. Use the level to ensure the bracket is parallel to the ground, then use a pencil to mark the center of the bracket holes. Mark a straight line on the top edge of the bracket.

If there are any objects obstructing the unit, you may install the unit slightly off-center or consider moving the obstruction. Please consult your Density Account Manager before doing this.



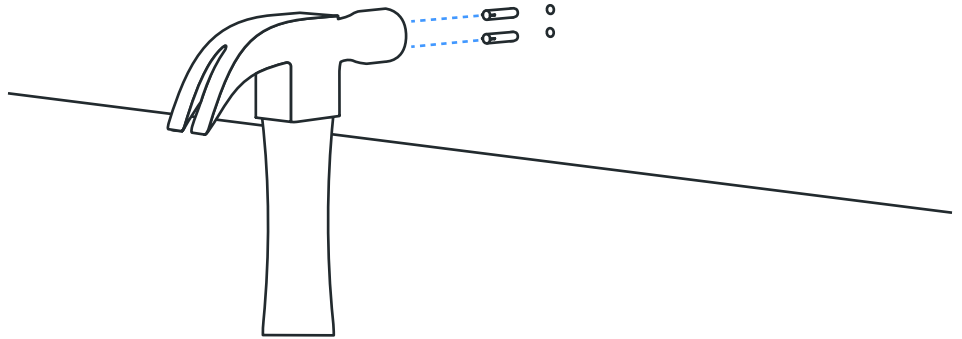
Step 3: Drill Pilot Holes

Drill a hole through each pencil mark using a 3/16 inch drill bit. Holes should have a depth of at least 1.25 inch.



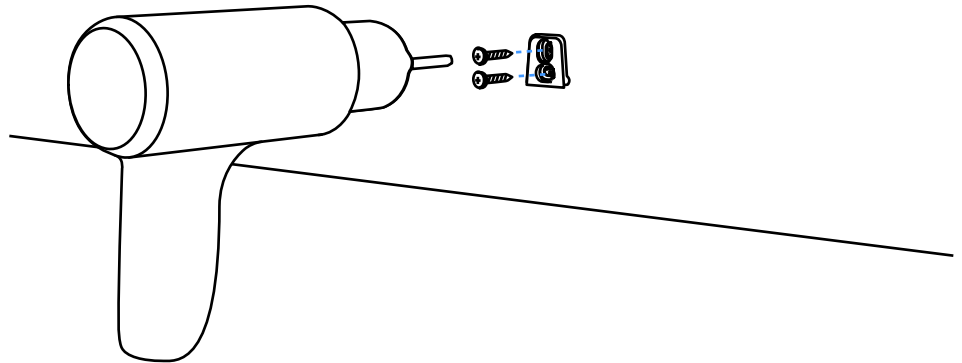
Step 4: Insert Drywall Anchors

Use a hammer to tap the drywall anchors into each hole. Anchors should be flush with wall.



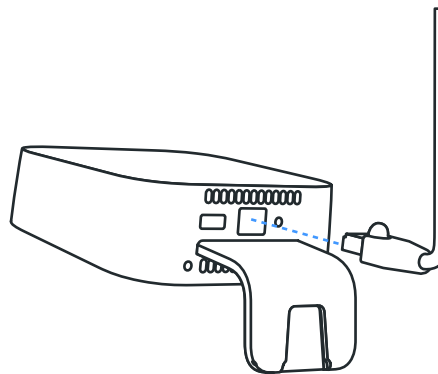
Step 5: Install Density Bracket

Use pilot holes to place bracket in a level and straight position. Use a drill or phillips head screw driver to drive each screw into the drywall anchors.



Step 6: Power Up The Device

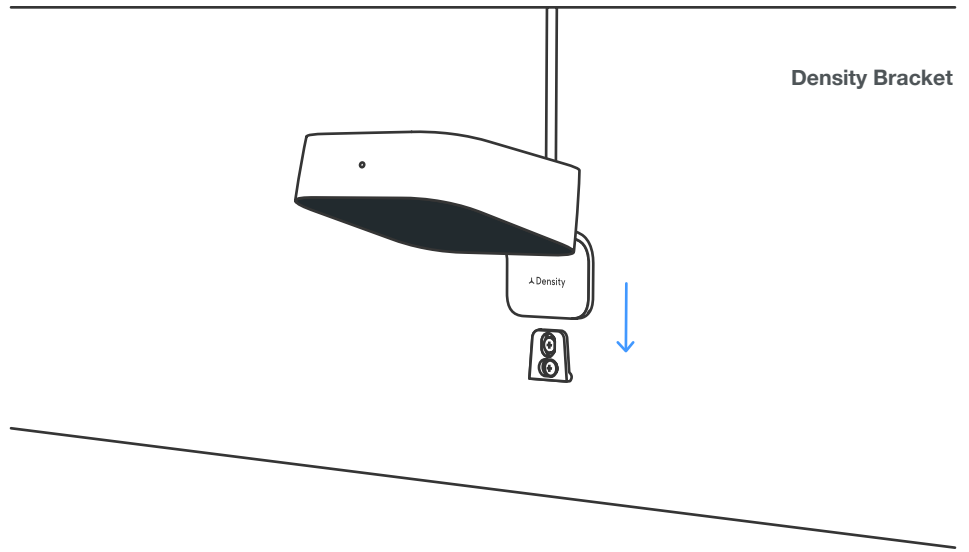
Plug in ethernet cable, device will automatically power up and LED indicator on the front of the unit will turn white.



Step 7: Mount the Device

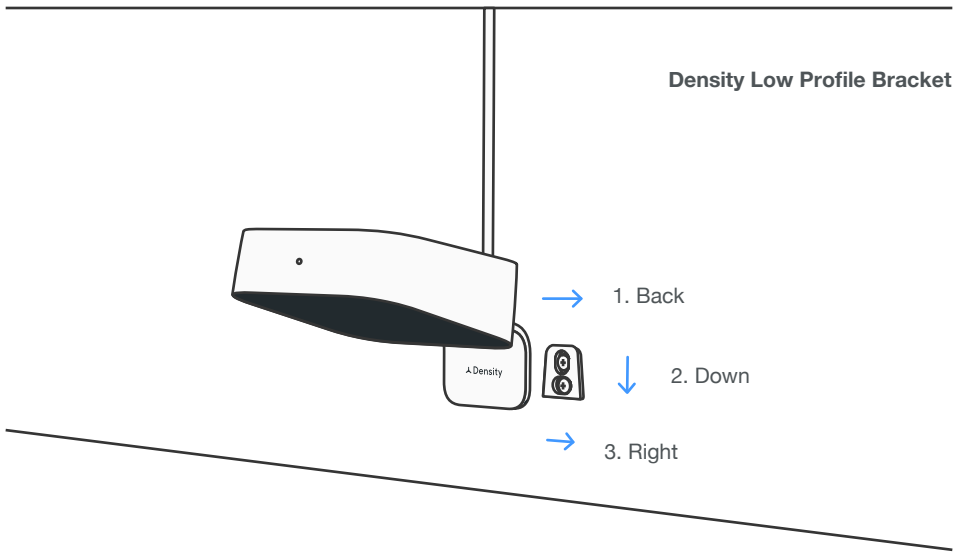
Density Bracket:

Slide the Density DPU down onto the installed bracket.



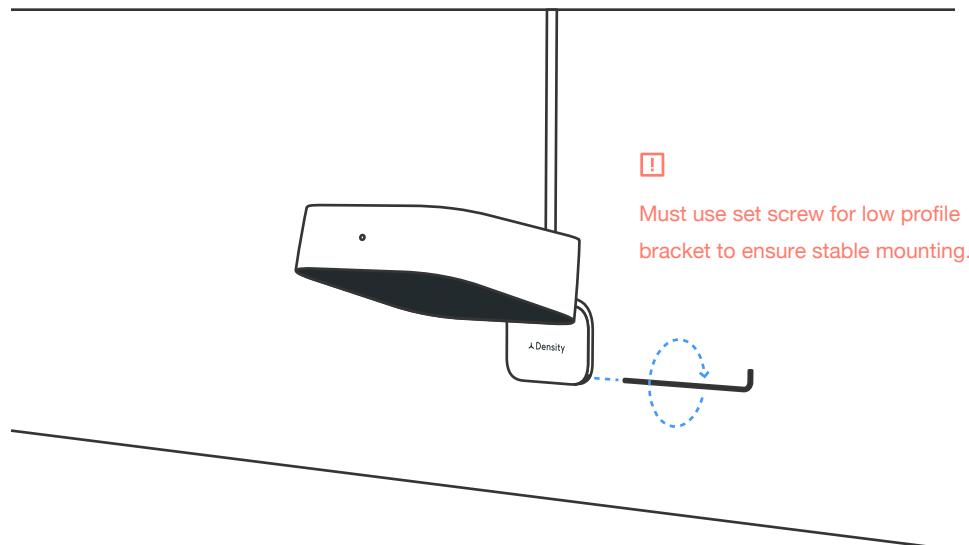
Density Low Profile Bracket:

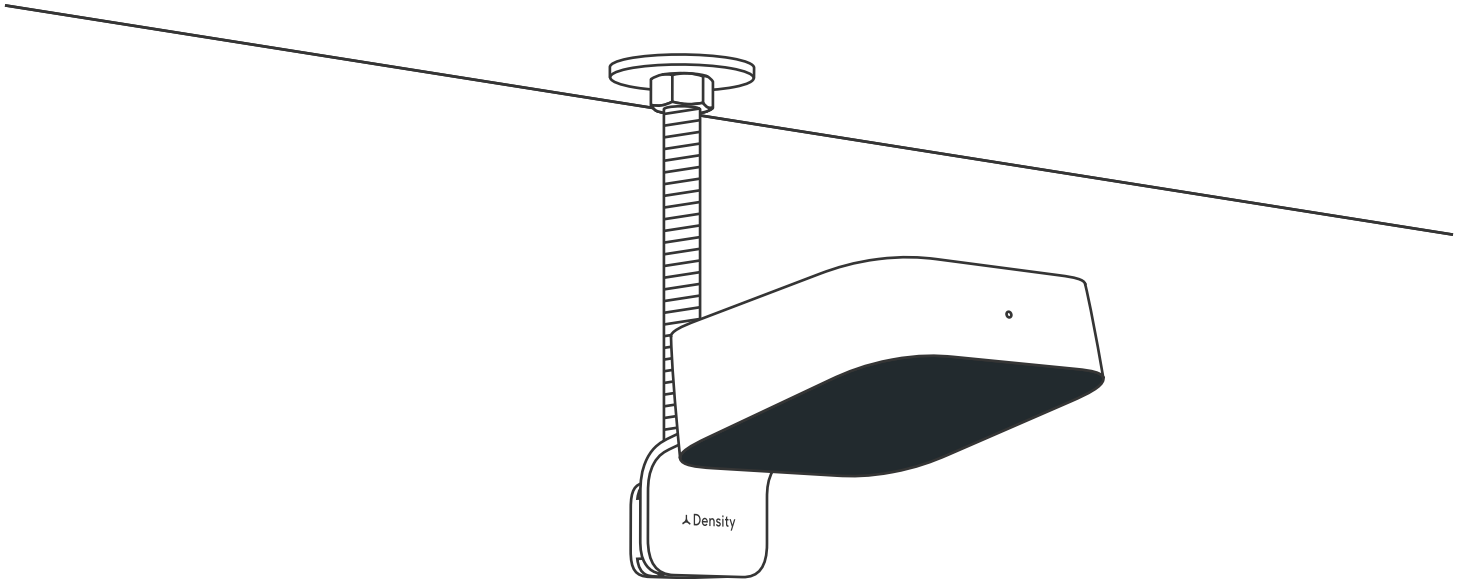
Place device straight back over the low profile bracket. Slide device down and then to the right.



Step 7: Secure the Device

To lock the device to the bracket, use the provided hex key and twist the set screw all the way in.





Materials Included

Toggle anchor
Density Utility Bracket
Hex key
Steel washer
Hex nut

Materials Not Included

Measuring tape
Drill
1.25 inch hole saw
1/2" - 13 Threaded Rod

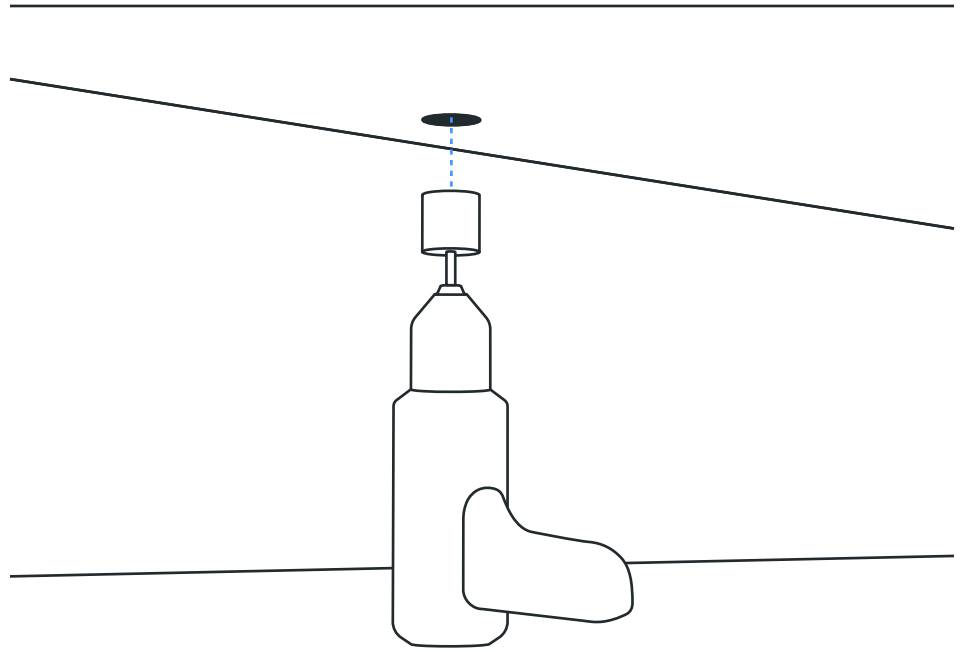
Power & Connectivity

All Density DPUs require power and internet connectivity.



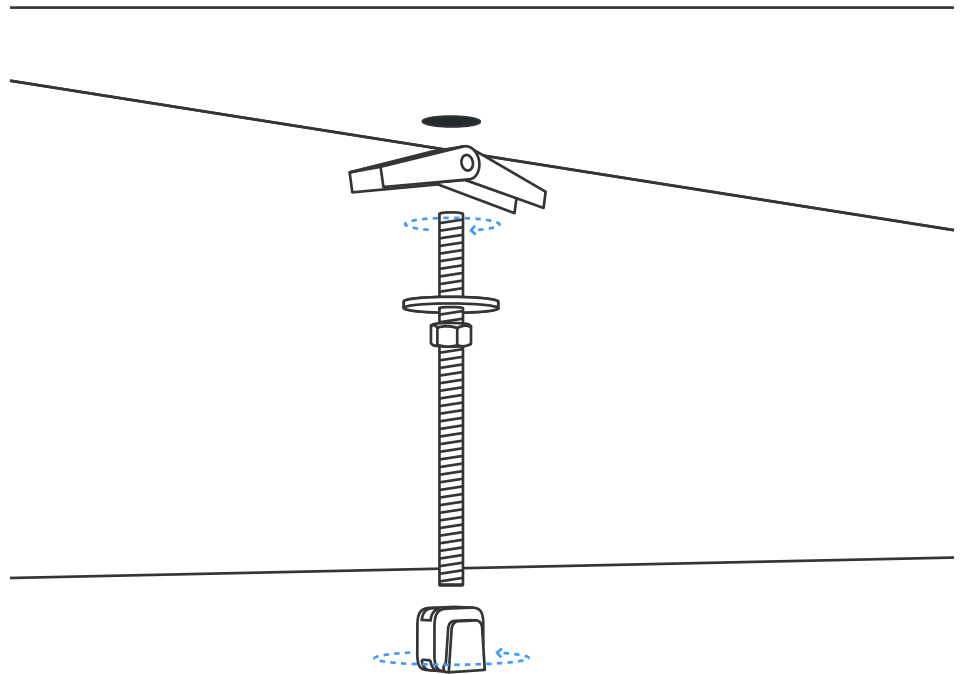
Step 1: Drill Mounting Hole

Mark a spot 1-2 inches away from the doorway that is centered above the door. Drill a hole using the 1.25 inch hole saw.



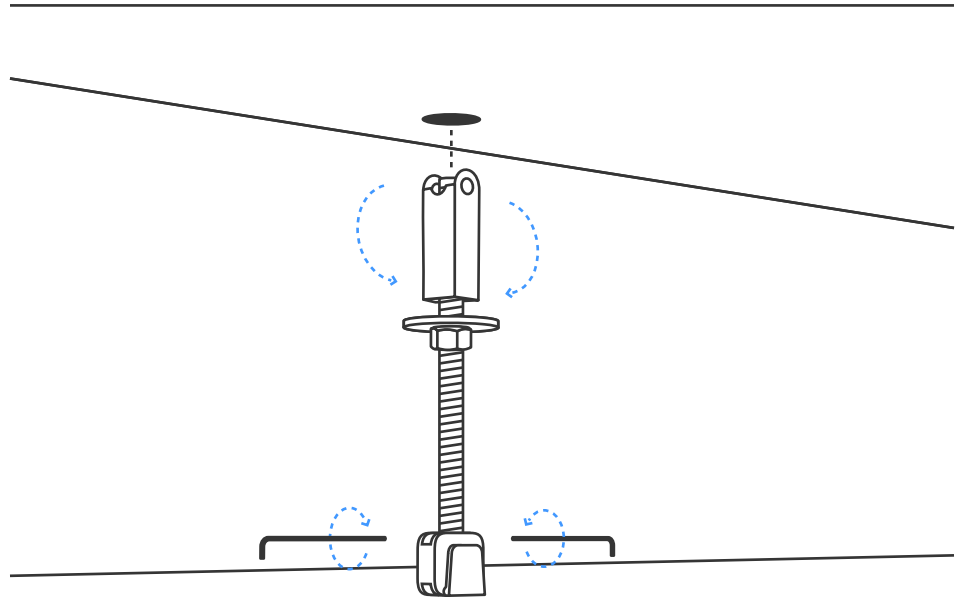
Step 2: Assemble Ceiling Mount Kit

Screw the Utility Bracket and Toggle Anchor onto the threaded rod. The threaded rod should be twisted into the Toggle Anchor so that the top of the rod is flush with the top of the anchor. The Utility Bracket should be twisted completely onto the rod until tight.



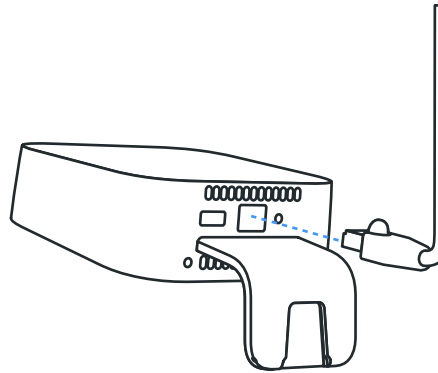
Step 3: Insert Assembly Into Ceiling

Fold the Toggle Anchor flaps down, then insert through the hole. The Toggle Anchor flaps will spring open again, securing it to the ceiling. Lock the Utility Bracket to the rod using the provided hex key, twisting in both set screws on each side of the Utility Bracket.



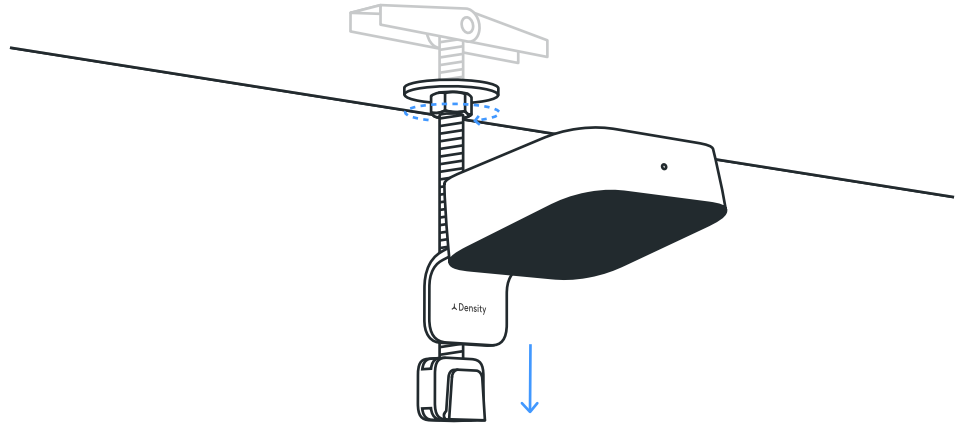
Step 4: Power Up The Device

Plug in ethernet cable, device will automatically power up and LED indicator on the front of the unit will turn white.



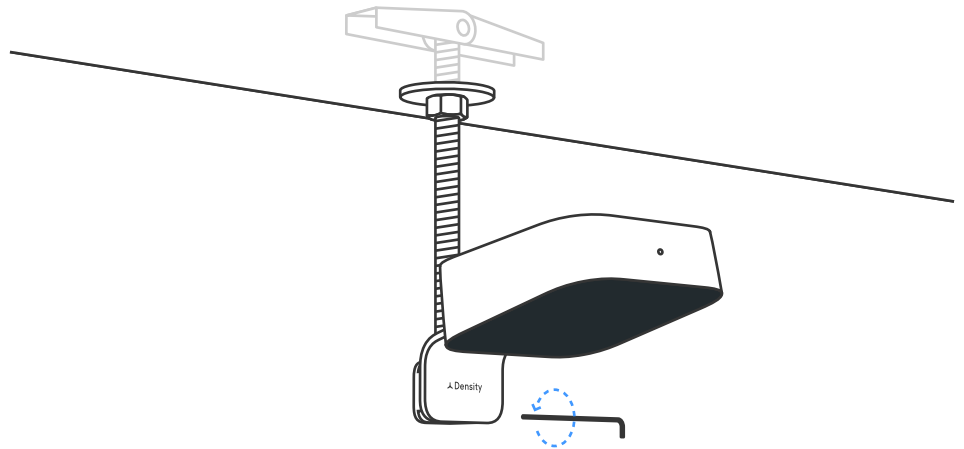
Step 5: Secure The Rod

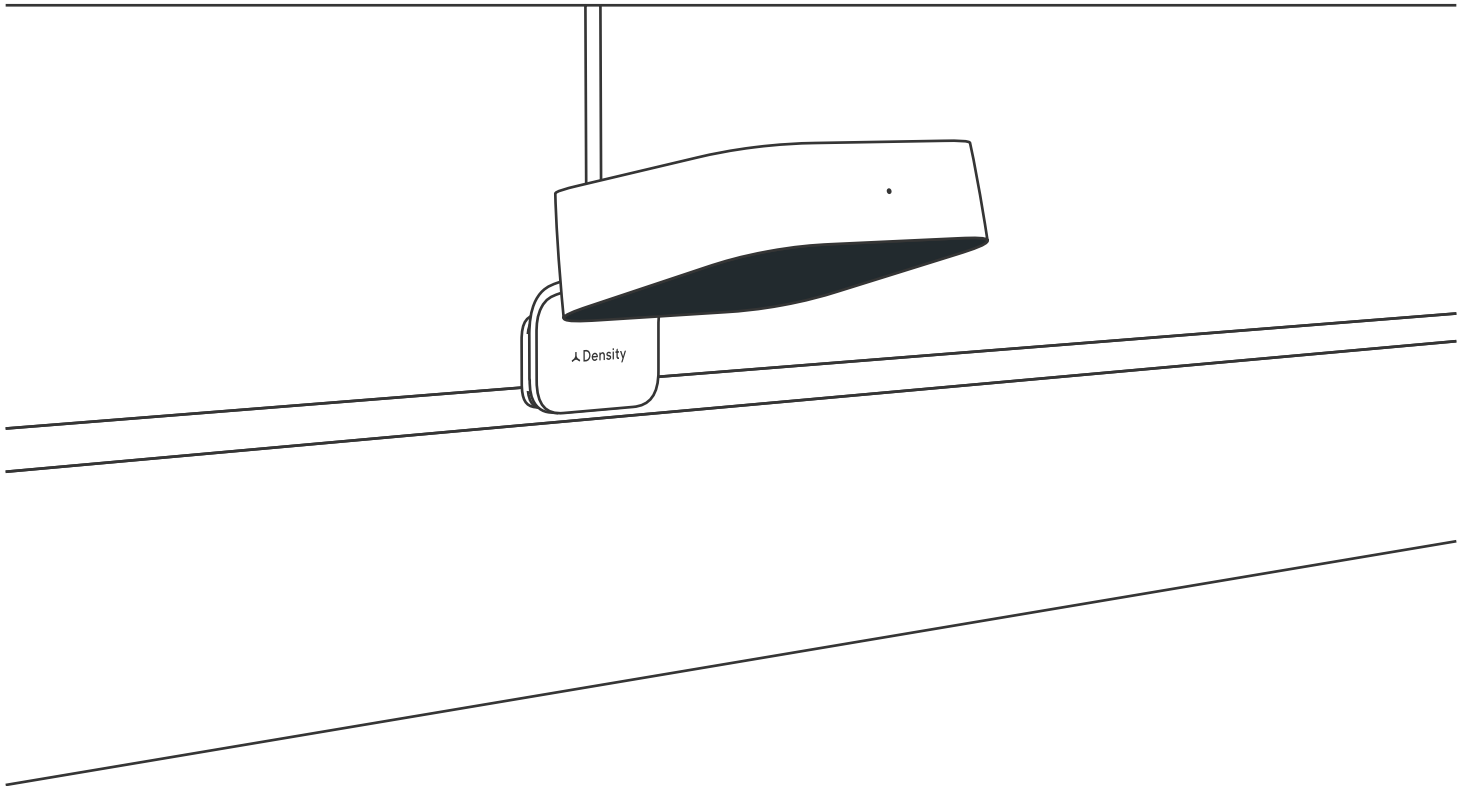
Slide the Density DPU onto the Utility Bracket. Push the steel washer up against the ceiling and secure it to the ceiling by twisting the hex nut until there is strong clamping pressure.



Step 6: Secure The Device

Plug in ethernet cable, device will automatically power up and LED indicator on the front of the unit will turn white.





Materials Included

Density Utility Bracket
Hex key
2 Self-tapping screws

Materials Not Included

Drill

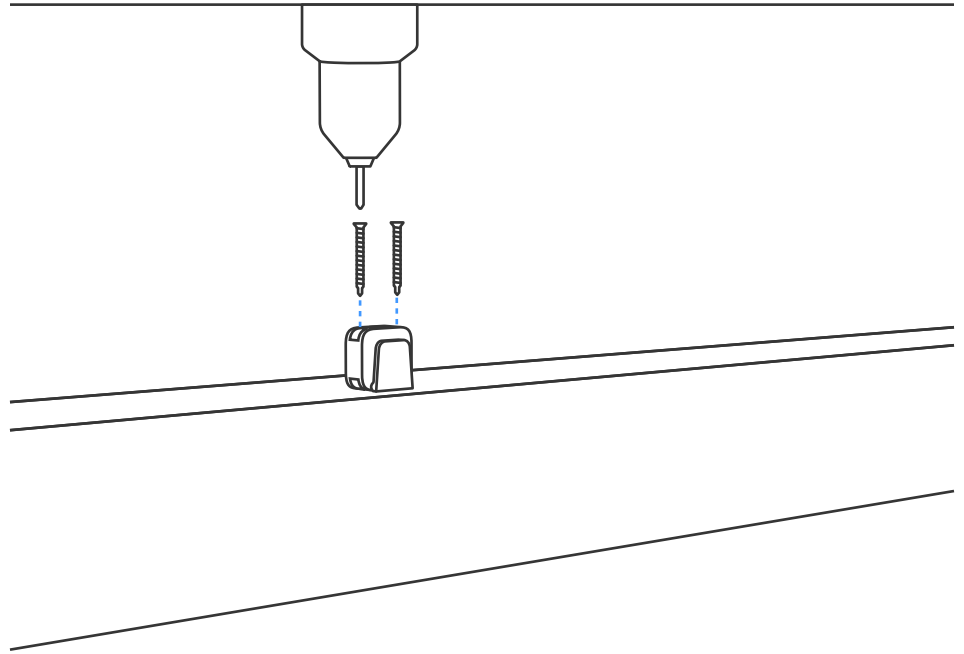
Power & Connectivity

All Density DPUs require power and internet connectivity.



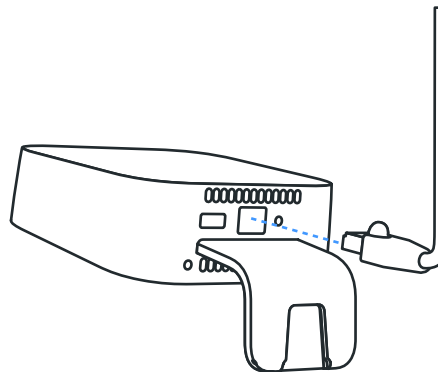
Step 1: Screw Down Utility Bracket

Use a drill to drive both self-tapping screws through the Utility Bracket into the metal frame.



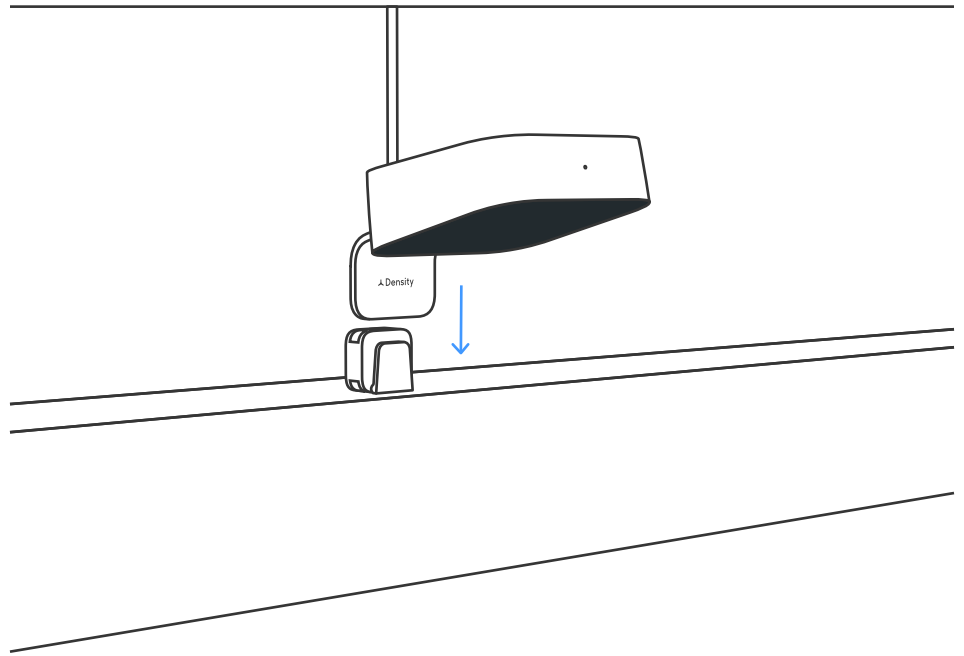
Step 2: Power Up The Device

Plug in ethernet cable, device will automatically power up and LED indicator on the front of the unit will turn white.



Step 3: Mount the Device

Slide the Density DPU onto the Utility Bracket.



Step 4: Secure the Device

To lock the device to the Utility Bracket, use the provided hex key and twist the set screw all the way in.

